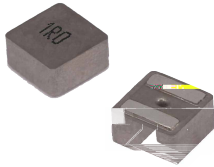


MDTA Series

Flat Wire Molded Inductor

Size 1010



FEATURES

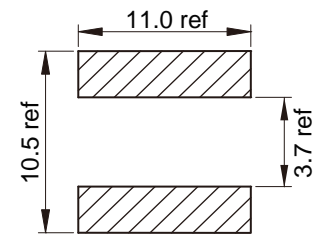
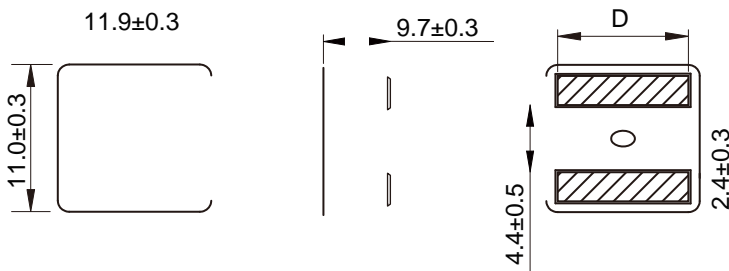
- Flat wire coil for low copper losses
-
-
- High current capacity
- AE
-
-

APPLICATION

- Noise suppressor for motor wipers / power seats/
-
-

Dimensions: [mm]

Land Pattern: [mm]

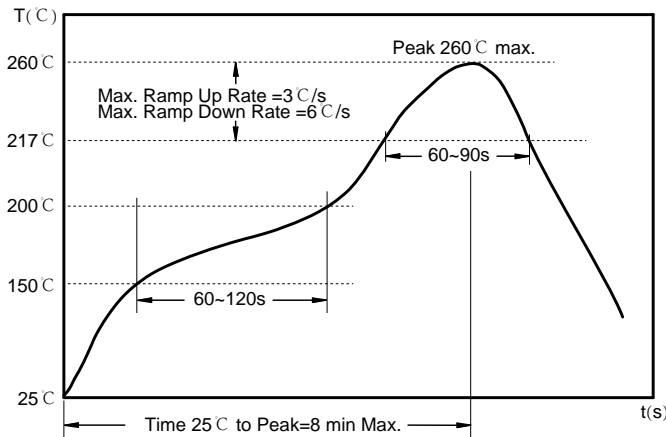


Electrical Properties:

Parameter	Value	Tolerance	Unit	Temperature		Notes
				Min	Max	
Inductance	2.20	±20%	mH			
		±20%				
		±20%				
		±20%				
		±20%				
		±20%				
		±20%				
		±20%				

Saturation Current will cause L to drop approximately 30%
 Temperature Rise Current that causes the specified temperature rise from 25°C ambient.

Soldering Reflow:



Preheat condition: 150 ~200°C / 60~120 sec.

Allowed time above 217°C : 60~90 sec.

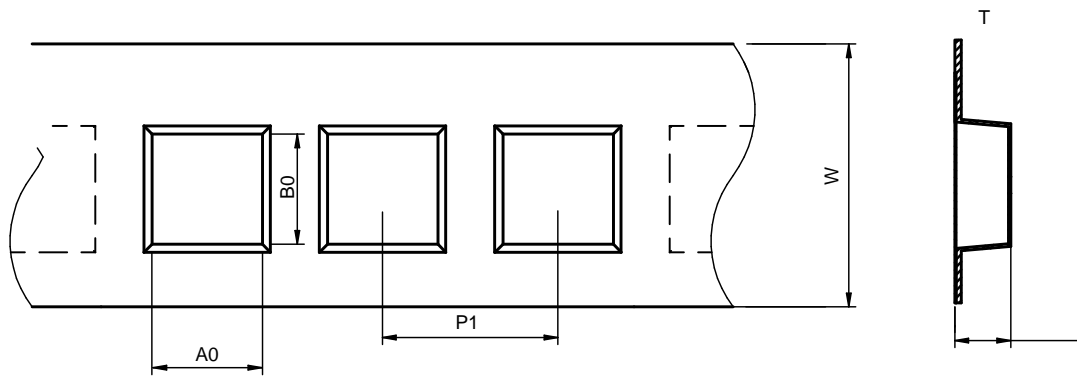
Max temperature: 260°C .

Max time at max temperature: 10 sec.

Allowed Reflow time: 2x max.

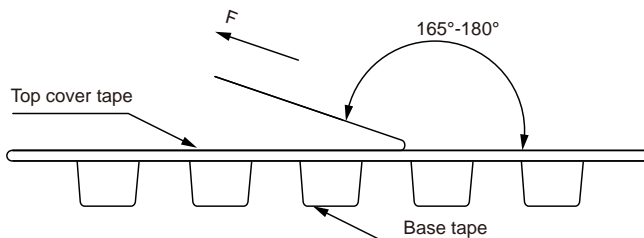
Packaging Information:

Tape Dimension :



Series	A0 (mm)	B0 (mm)	D (mm)	P0 (mm)	P1 (mm)	W (mm)	K0 (mm)	E (mm)	T (mm)
MDTA1010	12.4±0.1	11.5±0.1	1.5±0.1	4.0±0.1	16.0±0.1	24.0±0.3	10.3±0.1	1.75±0.1	0.50±0.05

Peel force of top cover tape:



The peel force of top cover tape shall be between 0.1 to 1.3 N

Product Marking:

Marking	Printing (Inductance)
---------	-----------------------

Reel Dimension: [mm]



Packaging Quantity: