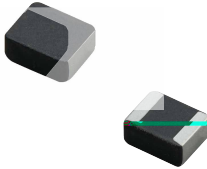


MDE Series
Molding Power Inductors
Size 252012S



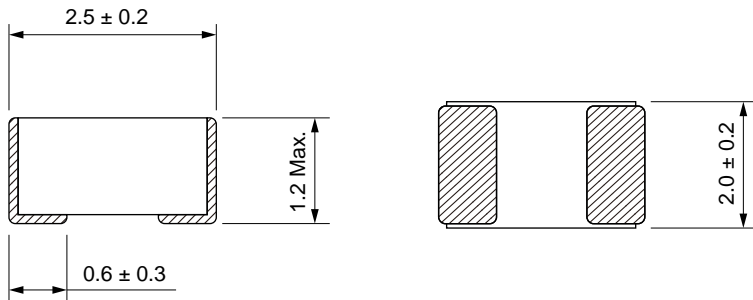
FEATURES

-
-
-
-
-

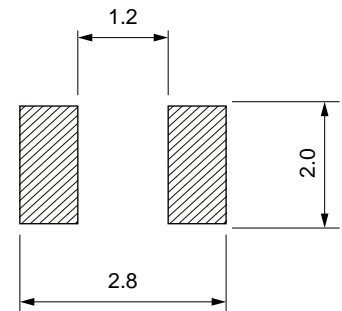
APPLICATION

-
-
-
-

Dimensions: [mm]



Land Pattern: [mm]



Electrical Properties:

