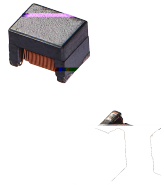


# ACMA ETH Series

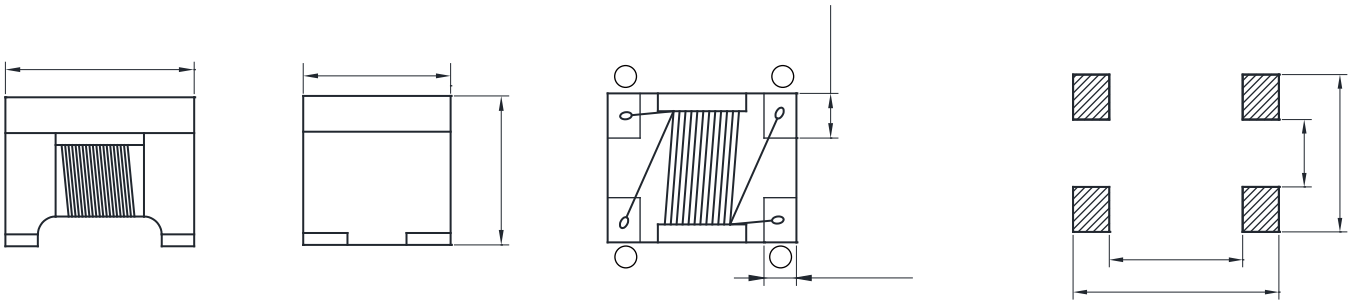


## FEATURES

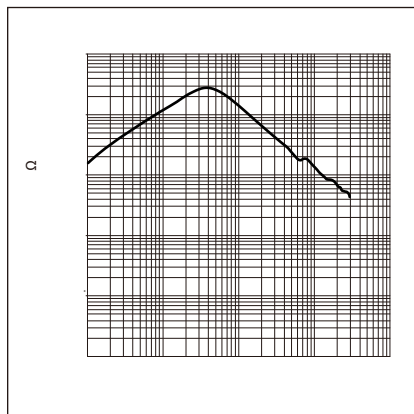
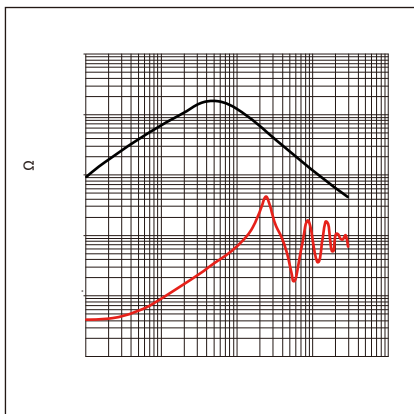
- 
- 
- 
- 
- 

## APPLICATION

- Ethernet system.



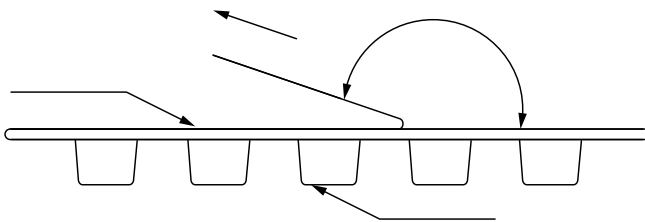
	( $\mu$ H)	(mA)	( )	(V)	(M )



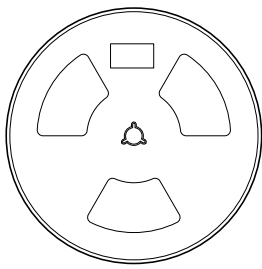
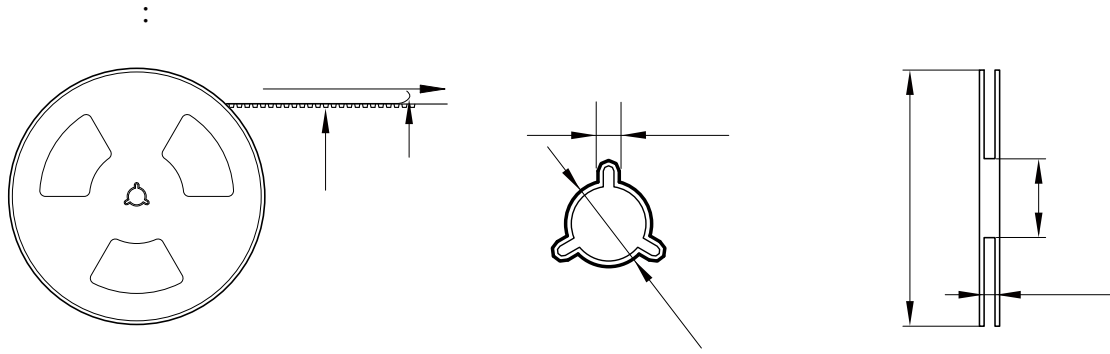
C  
C

:

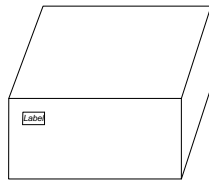
ACMA3225ETH	$2.88 \pm 0.1$	$3.72 \pm 0.1$	$1.5 \pm 0.1$	$4.0 \pm 0.1$	$4.0 \pm 0.1$	$8.0 \pm 0.3$	$2.5 \pm 0.1$	$1.75 \pm 0.1$	$0.26 \pm 0.05$
-------------	----------------	----------------	---------------	---------------	---------------	---------------	---------------	----------------	-----------------



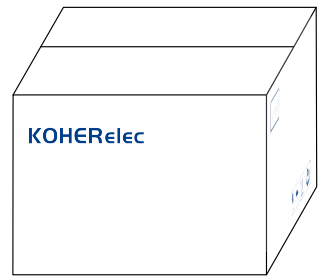
The peel force of top cover tape shall be between 0.14 to 0.78 N



2000 Pcs/Reel



5 Reel /Inner box( 10K Pcs)



8 Inner box/Carton box(80K Pcs)

:

- 
- 
- 
- 
- 
- 
- 
- 
- 
-